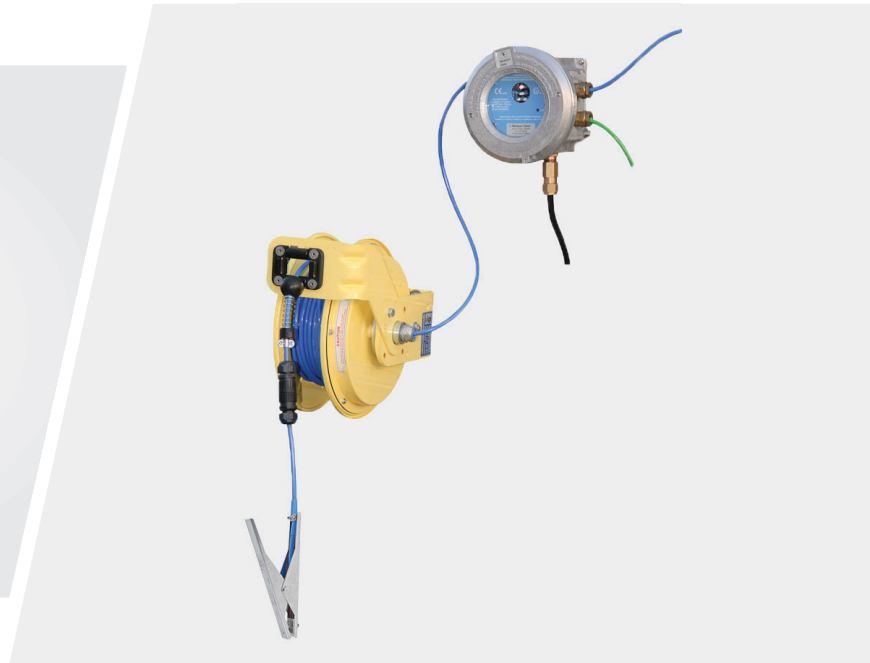


# VESM02

## Self-retracting Cable Reel



Self-retracting Cable Reel and Cable



VESM02 used in conjunction with Earth-Rite Static Grounding System

The static grounding reel provides a suitable alternative to spiral cable for use with the **Earth-Rite®** range of static grounding systems, especially for areas where self-retracting cable reels are a standard requirement.

The reel can be used in conjunction with systems that are used to ground road tanker trucks, railcars and other items of plant requiring static grounding protection.

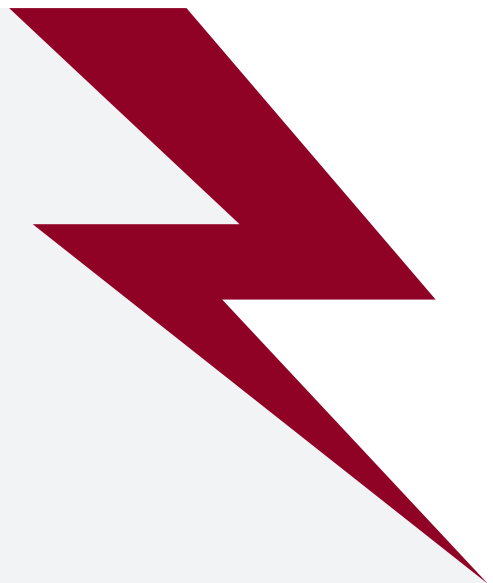
The reel is ATEX certified for installation in Zone 1 and Zone 21 hazardous areas and connection to all certified Earth-Rite Intrinsically Safe monitoring systems.

The reel is supplied with 15 m (50 ft.) of Newson Gale's 2 conductor static dissipative cable.

The main body of the reel is made of powder coated steel and the weight of the reel, including clamp and cable, is 11.5 kg (25 lbs).

### Reel features include:

- > Certified for ATEX Zone 1 and 21 hazardous areas
- > Self-retracting with up to 15 m (50 ft.) of Hytrel® protected cable
- > Silver plated ultra low resistance slip ring contacts
- > Includes 3 metres (10 ft.) of cable for connection to all Earth-Rite static grounding systems
- > Adjustable guide arm provides flexible installation options
- > Includes auto locking ratchet for constant tension
- > Adjustable ball stop and spring included
- > Optional pivot base provides increased angle of use
- > Available with the stainless steel grounding clamp



# VESM02

## Self-retracting Cable Reel

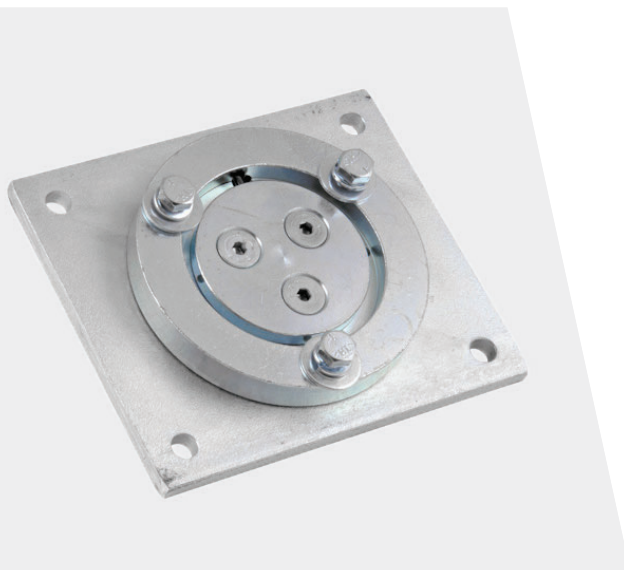
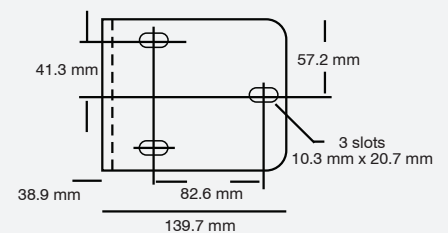
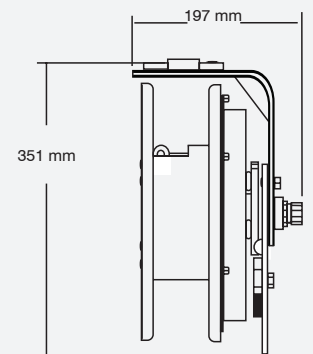
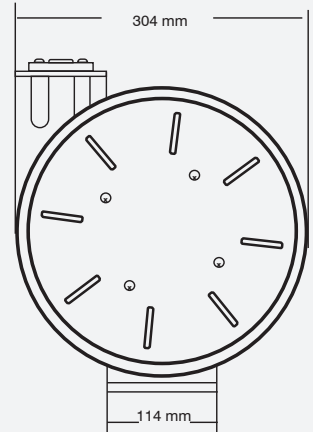
## VESM02

### Pivot Base

For situations where cable must be paid out to equipment located outside the normal direction of application, the Pivot Base will permit up to 345° of reel rotation.

The pivot base must be mounted in a plane that is at 90° to the axis of reel rotation. The reel is then fitted to the base. The pivot base weighs 3.4 kg (7.5 lbs) and is constructed from passivated steel.

- > **Please note** that all spring operated self retracting reels require the operator to return the cable to the reel in a controlled manner by holding the clamp until the cable and clamp are at rest.
- > If operators allow the energy of the spring to return the cable onto the reel independently, the energy of repeated impacts will damage the cable or reel and may result in injury to other operators.



**Pivot Base**  
permits up to 345° of reel rotation

#### Copyright Notice

The website and its content is copyright of Newson Gale Ltd © 2020. All rights reserved.

Any redistribution or reproduction of part or all of the contents in any form is prohibited other than the following:

- you may print or download to a local hard disk extracts for your personal and noncommercial use only
- you may copy the content to individual third parties for their personal use, but only if you acknowledge the website as the source of the material

You may not, except with our express written permission, distribute or commercially exploit the content. Nor may you transmit it or store it in any other website or other form of electronic retrieval system.

#### Right to change

This document provides general information only and may be subject to change at any time without notice. All information, representations, links or other messages may be changed by Newson Gale at any time without prior notice or explanation.

Newson Gale is not obliged to remove any outdated information from its content or to expressly mark it as being outdated. Please seek the advice of professionals as necessary regarding the evaluation of any content.

#### Disclaimer of liability

The information provided in this Datasheet is provided by Newson Gale without any representations or warranties, expressed or implied, as to its accuracy or completeness. The liability of Newson Gale for any expenses, losses or actions incurred whatsoever by the recipient as a result of the use of this Datasheet shall be excluded.

Leading the way in hazardous area static control



[www.newson-gale.co.uk](http://www.newson-gale.co.uk)

2/2

**United Kingdom**  
Newson Gale Ltd  
Omega House  
Private Road 8  
Colwick, Nottingham  
NG4 2JX, UK  
+44 (0)115 940 7500  
groundit@newson-gale.co.uk

**United States**  
IEP Technologies LLC  
417-1 South Street  
Marlborough, MA 01752  
USA  
+1 732 961 7610  
groundit@newson-gale.com

**Deutschland**  
IEP Technologies GmbH  
Kaiserswerther Str. 85C  
40878 Ratingen  
Germany  
+49 (0)2102 58890  
erdung@newson-gale.de

**Malux Finland Oy**, P.O.Box 69, FI06151 Porvoo, Finland  
+358 (0) 57 45 700, [info@malux.fi](mailto:info@malux.fi), [www.malux.fi](http://www.malux.fi)