

Ex-safety switches



3-pole



3-pole EMERGENCY STOP



6-pole



6-pole EMERGENCY STOP

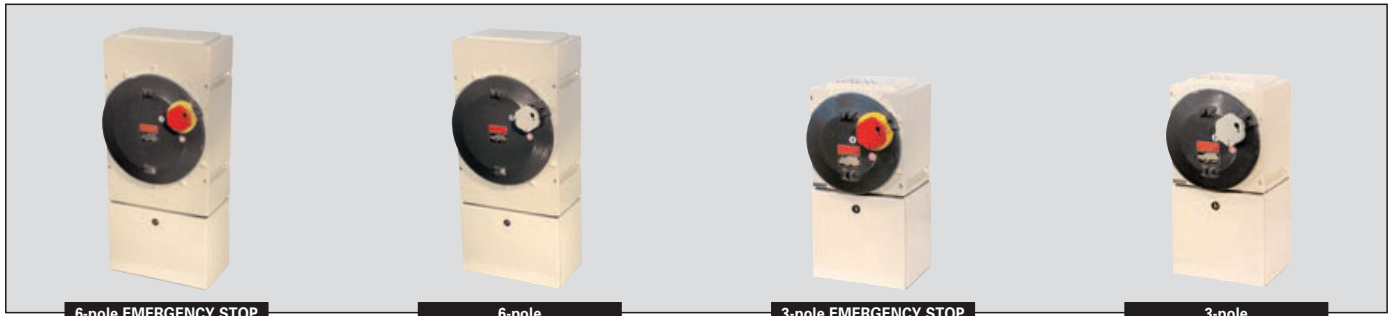
Technical data

5

Ex-safety switches 210 A

Marking accd. to 94/9/EC	⊕ II 2 G Ex de IIC T6, T5 bzw. T4 ¹⁾ / ⊕ II 2 D IP66 T80 °C/T95 °C	
EC-Type Examination Certificate	PTB 99 ATEX 1057	
IECEX Certificate of Conformity	BKI 06.0006	
Marking accd. to IECEx	Ex de ia/ib [ia/ib] IIC T6, T5 or T4 Ex tD A21 IP66 T80 °C, T95 °C or T130 °C	
Permissible ambient temperature	-20 °C up to +40 °C	
Rated voltage	up to max. 690 V	
Rated current	max. 210 A	
Frequency	50/60 Hz	
Rated making/breaking capacity AC-3 accd. EN 60947-3	U _o 230 V / I _o 210 A U _o 400 V / I _o 210 A U _o 500 V / I _o 210 A U _o 690 V / I _o 210 A	
Back-up fuse	up to 400 V AC: 250 A gL up to 500 V AC: 250 A gL up to 690 V AC: 200 A gL	
Connecting terminals	main contact	3-pole 3 x 150 mm ² /95 mm ² 6-pole 6 x 150 mm ² /2 x 95 mm ² auxiliary/signal contact 2 x 4 mm ²
Protection class	I	
Degree of protection accd. to EN 60529	IP54 (IP65 optional)	
Cable glands/enclosure drilling	M25 (d = 8 - 17 mm) see ordering details M63 (d = 27 - 48 mm) see ordering details	
Weight	3-pole	approx. 41.5 kg
	6-pole	approx. 84.5 kg
Enclosure material	aluminium, powder-coated polyester connection box steel, powder-coated	
Colour	Enclosure	grey (RAL 7032)
	Cover	dark grey (RAL 7022)
Auxiliary contact	1 x NO making - lagging; breaking - leading 1 x NC making - leading; breaking - lagging	
Padlocking facility	can be locked in OFF position with 3 commercially available padlocks (Ø max. 6 mm)	

¹⁾ Also available with Explosion Group IIB

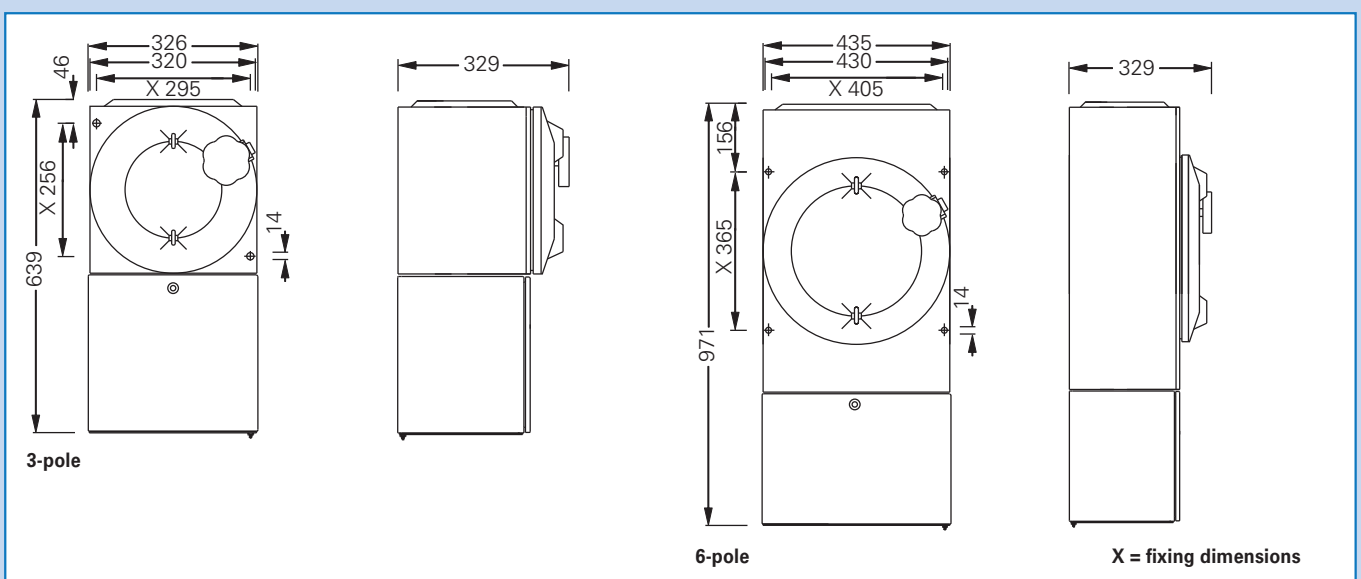


Ordering details

Content	Cable gland	Order No.
Safety switch 210 A 3-pole		
Version with 2 auxiliary contacts (1 NO; 1 x NC)		
3-pole	2 x M63 / 1 x M25	EXKO 731713 S0001
3-pole EMERGENCY STOP	2 x M63 / 1 x M25	EXKO 731723 S0001
Safety switch 210 A 6-pole		
Version with 2 auxiliary contacts (1 NO; 1 x NC)		
6-pole	4 x M63 / 1 x M25	EXKO 731716 S0001
6-pole EMERGENCY STOP	4 x M63 / 1 x M25	EXKO 731726 S0001

Customized version on request, auxiliary contacts in Ex ia available

Dimension drawing



Ex-safety switches



3-pole



3-pole EMERGENCY STOP



6-pole



6-pole EMERGENCY STOP

Technical data

5

Ex-safety switches 250 A

Marking accd. to 94/9/EC	Ⓔ II 2 G Ex de IIC T6, T5 bzw. T4 ¹⁾ / Ⓔ II 2 D IP66 T80 °C/T95 °C	
EC-Type Examination Certificate	PTB 99 ATEX 1057	
IECEX Certificate of Conformity	BKI 06.0006	
Marking accd. to IECEx	Ex de ia/ib [ia/ib] IIC T6, T5 or T4 Ex tD A21 IP66 T80 °C, T95 °C or T130 °C	
Permissible ambient temperature	-20 °C up to +40 °C ²⁾	
Rated voltage	up to max. 690 V	
Rated current	max. 250 A	
Frequency	50/60 Hz	
Rated making/breaking capacity AC-3 accd. EN 60947-3	U _o 230 V / I _o 250 A U _o 400 V / I _o 250 A U _o 500 V / I _o 250 A U _o 690 V / I _o 250 A	
Back-up fuse	up to 400 V AC: 250 A gL up to 500 V AC: 250 A gL up to 690 V AC: 200 A gL	
Connecting terminals	main contact	3-pole 3 x 150 mm ² /95 mm ² 6-pole 6 x 150 mm ² /2 x 95 mm ² auxiliary/signal contact 2 x 4 mm ²
Protection class	I	
Degree of protection accd. to EN 60529	IP54 (IP65 optional)	
Cable glands/enclosure drilling	M25 (d = 8 - 17 mm) see ordering details M63 (d = 27 - 48 mm) see ordering details	
Weight	3-pole	approx. 41.5 kg
	6-pole	approx. 84.5 kg
Enclosure material	aluminium, powder-coated polyester connection box steel, powder-coated	
Colour	Enclosure	grey (RAL 7032)
	Cover	dark grey (RAL 7022)
Auxiliary contact	1 x NO making - lagging; breaking - leading 1 x NC making - leading; breaking - lagging	
Padlocking facility	can be locked in OFF position with 3 commercially available padlocks (Ø max. 6 mm)	

¹⁾ Also available with Explosion Group IIB

²⁾ Other ambient temperatures on request

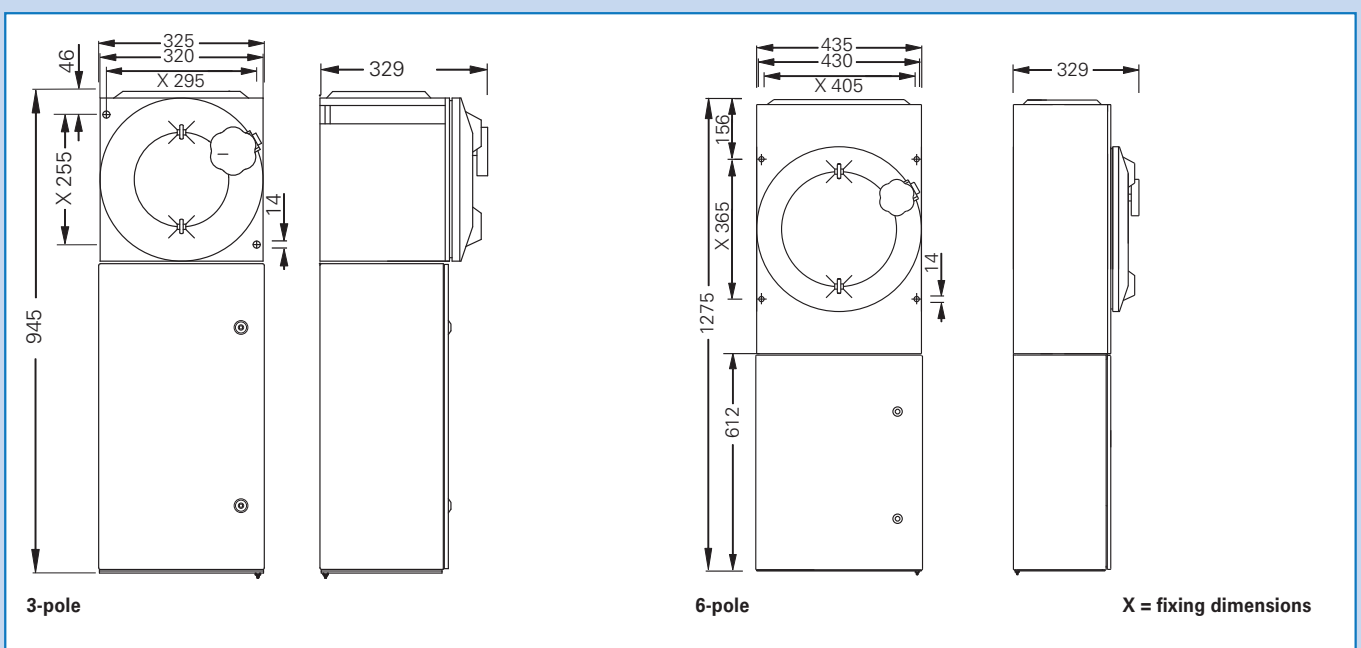


Ordering details

Content	Cable gland	Order No.
Safety switch 250 A 3-pole		
Version with 2 auxiliary contacts (1 NO; 1 x NC)		
3-pole	2 x M63 / 1 x M25	EXKO 731713 T0001
3-pole EMERGENCY STOP	2 x M63 / 1 x M25	EXKO 731723 T0001
Safety switch 250 A 6-pole		
Version with 2 auxiliary contacts (1 NO; 1 x NC)		
6-pole	4 x M63 / 1 x M25	EXKO 731716 T0001
6-pole EMERGENCY STOP	4 x M63 / 1 x M25	EXKO 731726 T0001

Customized version on request, auxiliary contacts in Ex ia available

Dimension drawing



Ex-safety switches



3-pole



3-pole EMERGENCY STOP

Technical data

5

Ex-safety switches 400 A

Marking accd. to 94/9/EC	⊕ II 2 G Ex de IIC T6, T5 bzw. T4 ¹⁾ / ⊕ II 2 D IP66 T80 °C/T95 °C	
EC-Type Examination Certificate	PTB 99 ATEX 1057	
IECEX Certificate of Conformity	BKI 06.0006	
Marking accd. to IECEX	Ex de ia/ib [ia/ib] IIC T6, T5 or T4 Ex tD A21 IP66 T80 °C, T95 °C or T130 °C	
Permissible ambient temperature	-20 °C up to +40 °C ²⁾	
Rated voltage	up to max. 690 V	
Rated current	max. 400 A	
Frequency	50/60 Hz	
Rated making/breaking capacity AC-3 accd. EN 60947-3	U _o 230 V / I _o 400 A U _o 400 V / I _o 400 A U _o 500 V / I _o 400 A U _o 690 V / I _o 400 A	
Back-up fuse	up to 400 V AC: 500 A gL up to 500 V AC: 500 A gL up to 690 V AC: 500 A gL	
Connecting terminals	main contact	6 x 150 mm ² /2 x 95 mm ²
	auxiliary/signal contact	2 x 4 mm ²
Protection class	I	
Degree of protection accd. to EN 60529	IP54 (IP65 optional)	
Cable glands/enclosure drilling	M25 (d = 8 - 17 mm) see ordering details M63 (d = 27 - 48 mm) see ordering details	
Weight	approx. 64.5 kg	
Enclosure material	aluminium, powder-coated polyester connection box steel, powder-coated	
Colour	Enclosure	grey (RAL 7032)
	Cover	dark grey (RAL 7022)
Auxiliary contact	1 x NO making - lagging; breaking - leading 1 x NC making - leading; breaking - lagging	
Padlocking facility	can be locked in OFF position with 3 commercially available padlocks (Ø max. 6 mm)	

¹⁾ Also available with Explosion Group IIB

²⁾ Other ambient temperatures on request

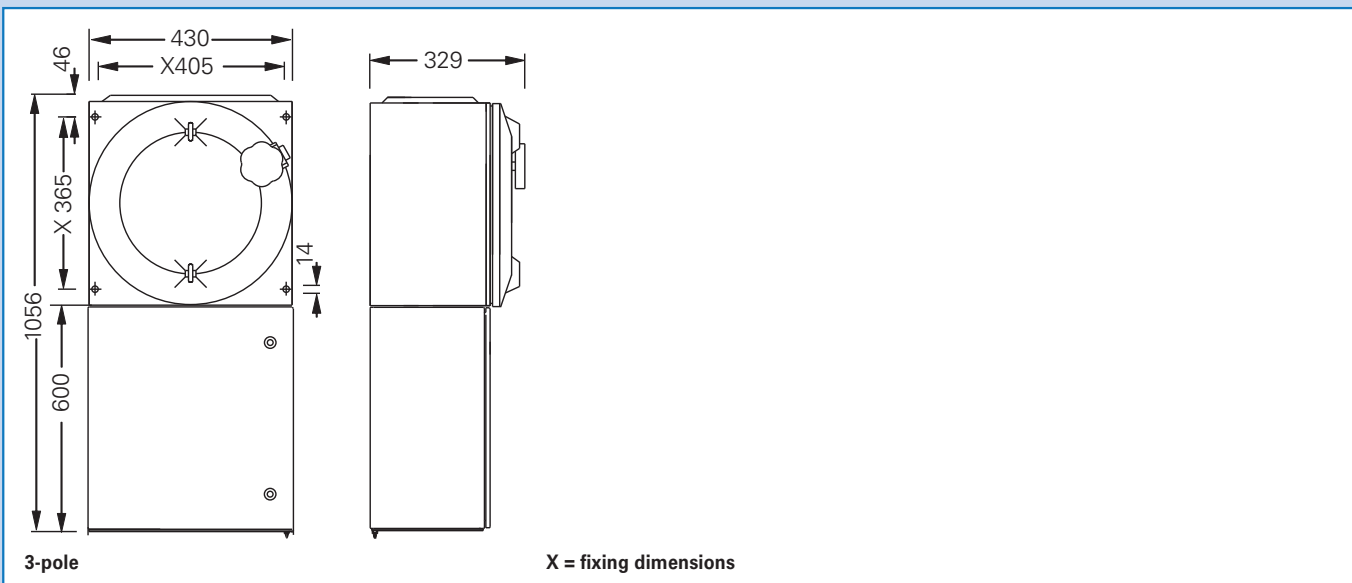


Ordering details

Content	Cable gland	Order No.
Safety switch 400 A 3-pole		
Version with 2 auxiliary contacts (1 NO; 1 x NC)		
3-pole	4 x M63 / 1 x M25	EXKO 731713 U0001
3-pole EMERGENCY STOP	4 x M63 / 1 x M25	EXKO 731723 U0001

Customized version on request, auxiliary contacts in Ex ia available

Dimension drawing



Ex-safety switches



3-pole

Technical data

5

Ex-safety switches 630 A

Marking accd. to 94/9/EC	Ⓔ II 2 G Ex de IIC T6, T5 bzw. T4 ¹⁾ / Ⓔ II 2 D IP66 T80 °C/T95 °C	
EC-Type Examination Certificate	PTB 99 ATEX 1057	
IECEX Certificate of Conformity	BKI 06.0006	
Marking accd. to IECEx	Ex de ia/ib [ia/ib] IIC T6, T5 or T4 Ex tD A21 IP66 T80 °C, T95 °C or T130 °C	
Permissible ambient temperature	-20 °C up to +40 °C ²⁾	
Rated voltage	up to max. 690 V	
Rated current	max. 630 A	
Frequency	50/60 Hz	
Rated making/breaking capacity AC-3 accd. EN 60947-3	U _o 230 V / I _o 630 A U _o 400 V / I _o 630 A U _o 500 V / I _o 630 A U _o 690 V / I _o 630 A	
Back-up fuse	up to 400 V AC: 800 A gL up to 500 V AC: 800 A gL up to 690 V AC: 800 A gL	
Connecting terminals	main contact	6 x 240 mm ² /2 x 120 mm ²
	auxiliary/signal contact	2 x 4 mm ²
Protection class	I	
Degree of protection accd. to EN 60529	IP54 (IP65 optional)	
Cable glands/enclosure drilling	M25 (d = 8 - 17 mm) see ordering details M80 (d = 62 - 68 mm) see ordering details	
Weight	approx. 245 kg	
Enclosure material	steel, powder-coated polyester connection box steel, powder-coated	
Colour	Enclosure	grey (RAL 7032)
	Cover	dark grey (RAL 7022)
Auxiliary contact	1 x NO making - lagging; breaking - leading 1 x NC making - leading; breaking - lagging	
Padlocking facility	can be locked in OFF position with 3 commercially available padlocks (Ø max. 6 mm)	

¹⁾ Also available with Explosion Group IIB

²⁾ Other ambient temperatures on request



3-pole

Ordering details

Content	Cable gland	Order No.
Safety switch 630 A 3-pole		
Version with 2 auxiliary contacts (1 NO; 1 x NC)		
3-pole	4 x M80 / 1 x M25	EXKO 731713 V0001
3-pole EMERGENCY STOP	4 x M80 / 1 x M25	EXKO 731723 V0001

Customized version on request, auxiliary contacts in Ex ia available

Dimension drawing

