

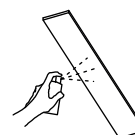
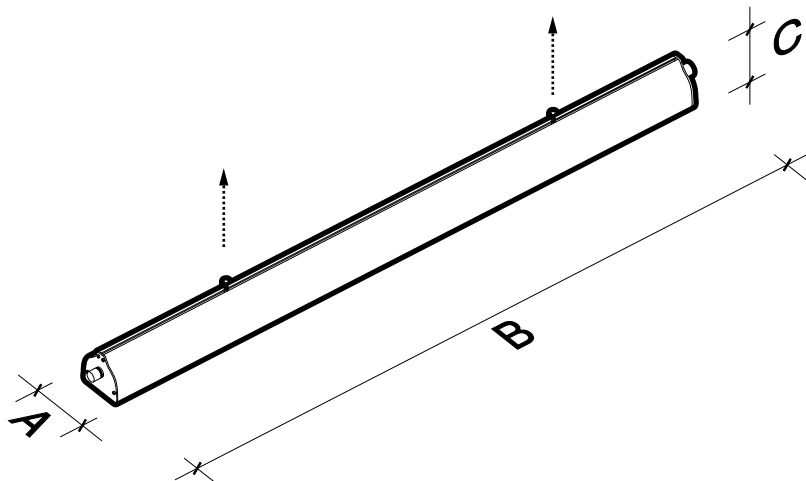
High Bay Linear



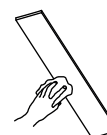
INSTALLATION INSTRUCTIONS

i LED modules are non-user replaceable

	I	II	III
A [mm]	96	96	96
B [mm]	910	1207	1475
C [mm]	95	95	95
Weight	4,3 kg	6,0 kg	7,5 kg
B10 / B16	10 / 13	8 / 11	6 / 8



Compressed air



Soft cloth

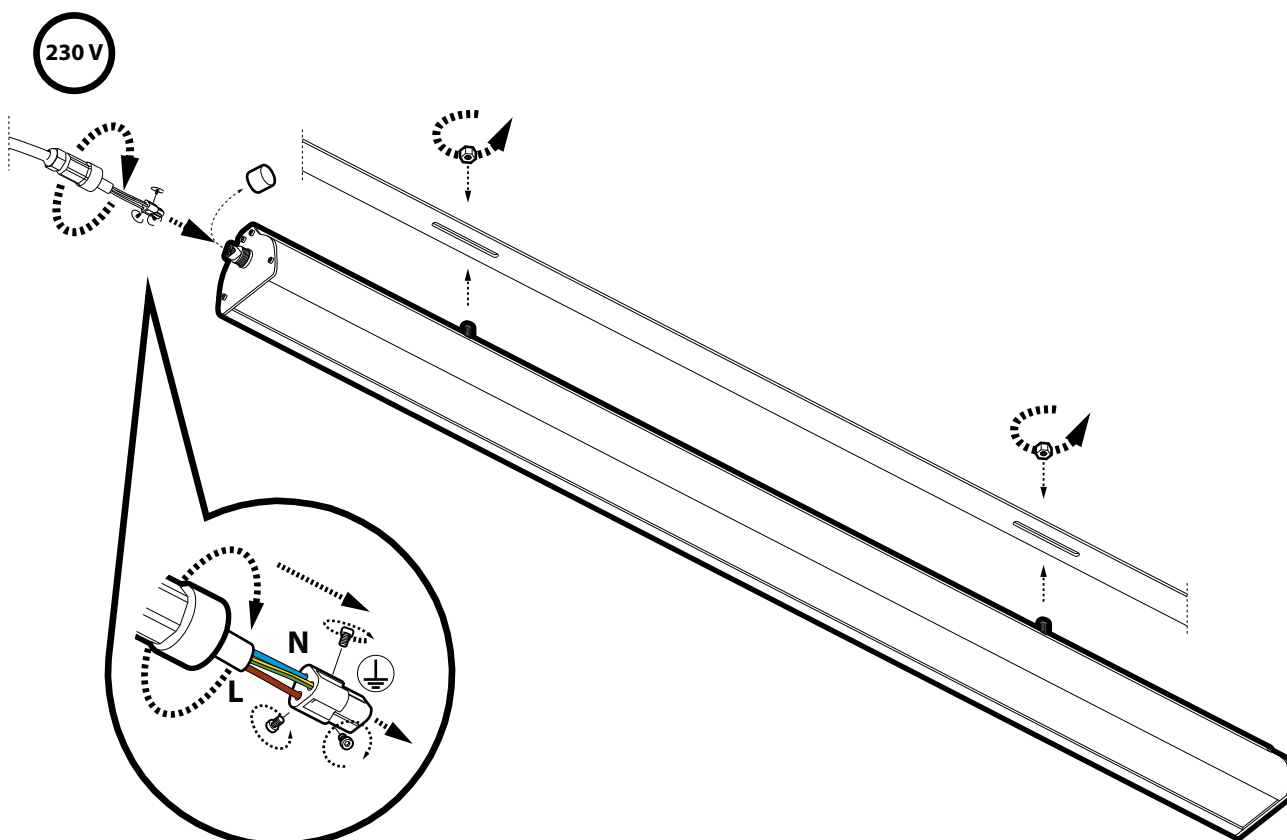
TA : STANDARD

- 25°C ÷ + 45°C

TA : PRO

- 30°C ÷ + 65°C

1



DALI: L2, L3

IP65

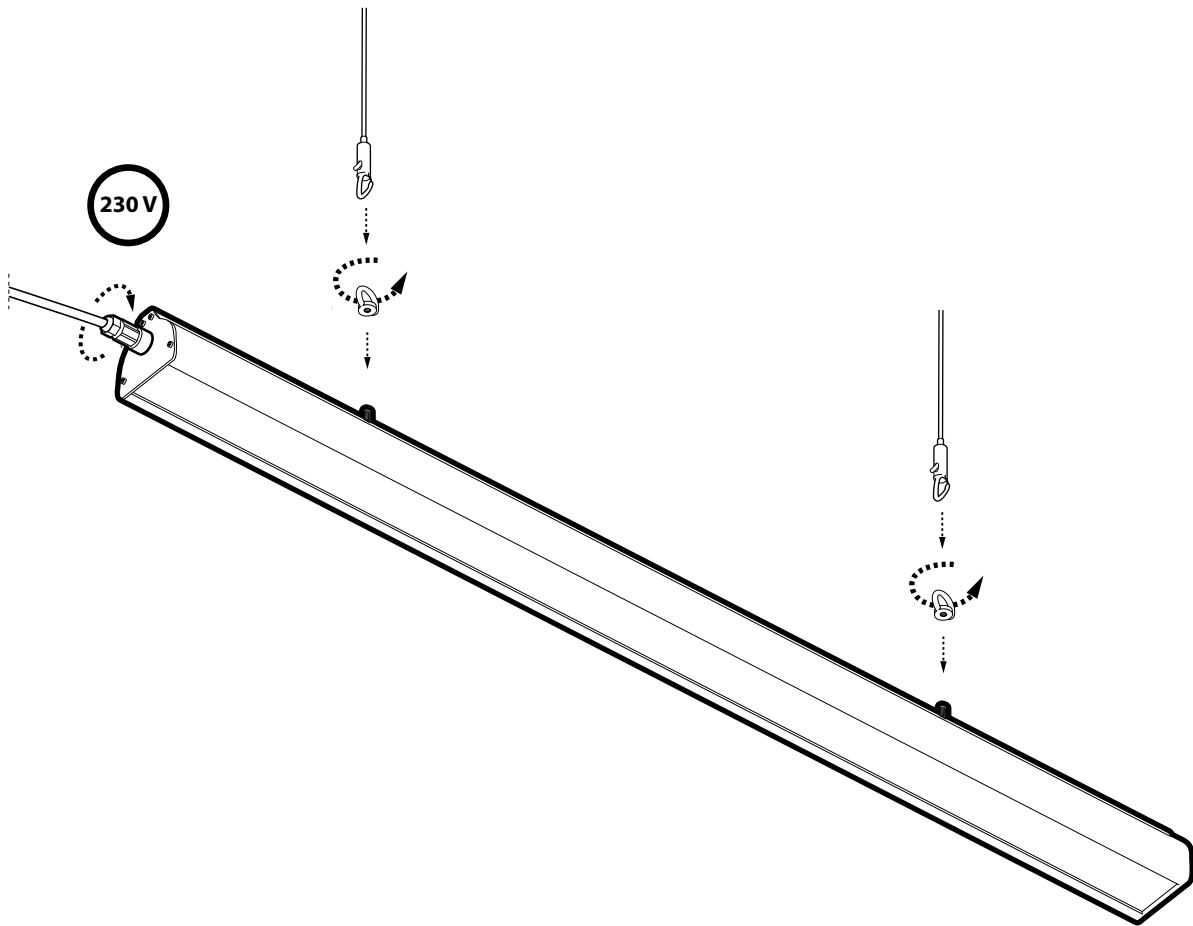
50/60 Hz

230 V



2a

variant 1



2b

variant 2

