

## High Bay Linear



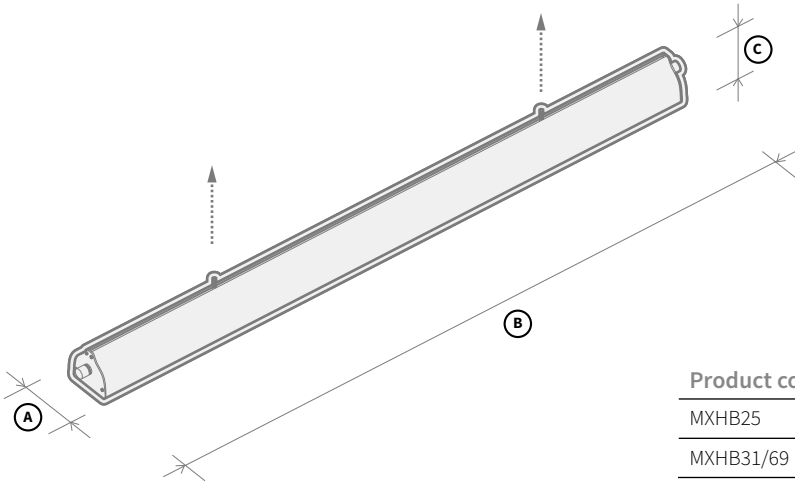
### Advantages

- high luminous efficacy up to 140 lm/W
- warranty up to 8 years (pro version)
- optional tempered glass or polycarbonate diffuser
- aluminium casing, offering improved heat dissipation
- working temperature up to 65° (pro version)



Product code	P	lm	K	Ra	Beam angle	Weight
MXHB254F	25	2700	4000K	>80	80°x104°	1,8 kg
MXHB314F	31	3700	4000K	>80	80°x104°	2,0 kg
MXHB694F	69	7700	4000K	>80	80°x104°	2,2 kg
MXHB90401	90	12700	4000K	>80	50°	4,3 kg
MXHB90402	90	12700	4000K	>80	80°	4,3 kg
MXHB90403	90	12700	4000K	>80	ASY	4,3 kg
MXHB121401	121	17000	4000K	>80	50°	6,0 kg
MXHB121402	121	17000	4000K	>80	80°	6,0 kg
MXHB121403	121	17000	4000K	>80	ASY	6,0 kg
MXHB151401	151	21200	4000K	>80	50°	7,5 kg
MXHB151402	151	21200	4000K	>80	80°	7,5 kg
MXHB151403	151	21200	4000K	>80	ASY	7,5 kg

# Dimensions



Product code	A	B	C
MXHB25	96	320	95
MXHB31/69	96	620	95
MXHB90	96	910	95
MXHB121	96	1207	95
MXHB151	96	1475	95



# High Bay Linear

