



6-pole EMERGENCY STOP



6-pole



3/4-pole EMERGENCY STOP



3/4-pole

Technical data

Ex-safety switches 80 A

Marking accd. to 2014/34/EU	Ⓔ II 2 G Ex db e [ia/ib] IIB/IIC T5/T6 Gb / Ⓔ II 2 D Ex tb IIIC T80 °C Db	
EC-Type Examination Certificate	BVS 15 ATEX E 125 X	
IECEX Certificate of Conformity	IECEX BVS 15.0103X	
Marking accd. to IECEx	Ex db e [ia/ib] IIB/IIC T5/T6 Gb Ex tb III C T80°C Db	
Permissible ambient temperature	-20 °C up to +40 °C <sup>1)</sup>	
Rated voltage	up to max. 690 V	
Rated current	max. 80 A	
Frequency	50/60 Hz	
Rated making/breaking capacity AC-3 accd. EN 60947-3	U <sub>e</sub> 230 V / I <sub>e</sub> 80 A U <sub>e</sub> 400 V / I <sub>e</sub> 80 A U <sub>e</sub> 500 V / I <sub>e</sub> 80 A U <sub>e</sub> 690 V / I <sub>e</sub> 63 A	
Rated making-/ breaking capacity DC 1/DC 23 accd. EN 60947-3	U <sub>e</sub> 60 V / I <sub>e</sub> 80 A (1 contact) U <sub>e</sub> 120 V / I <sub>e</sub> 80 A (2 contacts in series)	
Switch-disconnector for maintenance accd. to IEC 62262-1	Class 1	
Back-up fuse	up to 400 V AC: 160 A gG up to 500 V AC: 160 A gG up to 690 V AC: 125 A gG	
Connecting terminals	main contact	2 x 25 mm <sup>2</sup>
	auxiliary/signal contact	2 x 4 mm <sup>2</sup> (option)
Protection class	I	
Degree of protection accd. to EN 60529	IP66	
Cable glands/enclosure drilling	M25 cable gland see ordering details M32 cable gland see ordering details M50 cable gland see ordering details Option: metal flange with thread	
Weight	3/4-pole	approx. 6.5 kg
	6-pole	approx. 9.0 kg
Enclosure material	glass-fibre reinforced polyester	
Enclosure colour	black	
Auxiliary contact (option)	1 x NO making - lagging; breaking - leading 1 x NC making - leading; breaking - lagging	
Padlocking facility	can be locked in OFF position with 3 commercially available padlocks (Ø max. 6 mm)	

<sup>1)</sup> Other ambient temperatures on request

## GHG 264 - Ex-safety switches 80 A



3/4-pole



3/4-pole EMERGENCY STOP



6-pole



6-pole EMERGENCY STOP

### Ordering details

Content	Cable gland	Auxiliary contact	Order No.
<b>Safety switch 80 A 3-pole</b>			
3-pole	2 x M50 / 1 x M25	1 NO + 1 NC	<b>GHG 264 0020 R0001</b>
3-pole	2 x M50	none	<b>GHG 264 0025 R0001</b>
3-pole EMERGENCY STOP	2 x M50 / 1 x M25	1 NO + 1 NC	<b>GHG 264 0020 R0002</b>
3-pole EMERGENCY STOP	2 x M50	none	<b>GHG 264 0025 R0002</b>
<b>Safety switch 80 A 4-pole</b>			
4-pole	2 x M50 / 1 x M25	1 NO + 1 NC	<b>GHG 264 0020 R0012</b>
4-pole	2 x M50	none	<b>GHG 264 0025 R0004</b>
4-pole	2 x M32	1 NO + 1 NC	<b>GHG 264 0020 R0006</b>
4-pole	2 x M32	none	<b>GHG 264 0025 R0003</b>
<b>Safety switch 80 A 6-pole</b>			
6-pole	4 x M50 / 1 x M25	1 NO + 1 NC	<b>GHG 264 0021 R0001</b>
6-pole EMERGENCY STOP	4 x M50 / 1 x M25	1 NO + 1 NC	<b>GHG 264 0021 R0002</b>

Customized version on request, auxiliary contacts in Ex ia available

### Accessories

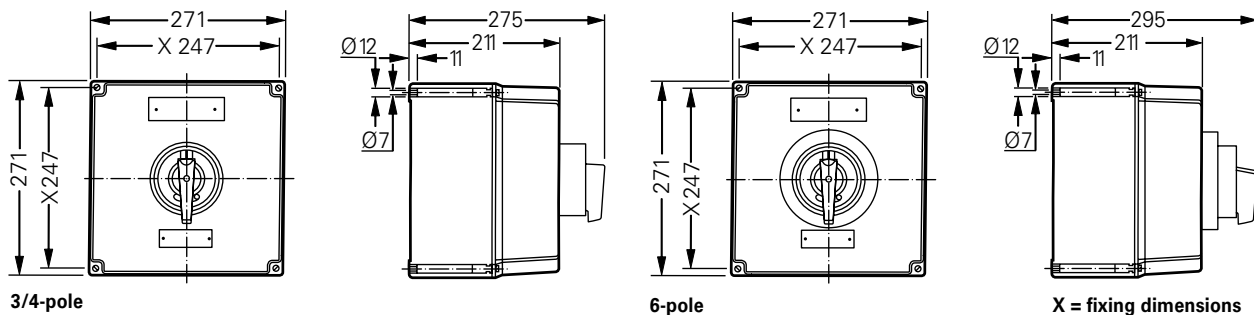
Type	Application	Fixing method	Order No.
<b>Mounting plate for Ex-safety switches 80 A 3/4- and 6-pole</b>			
Size 3	2 x pipe clamp	screw-on <sup>1)</sup>	<b>GHG 610 1953 R0110</b>

<sup>1)</sup> observe mounting distance

Type	OU	Order No.
<b>Accessories for mounting plates</b>		
Type label for label holder and mounting plates size 4 and size 5	10	<b>GHG 610 1953 R0011</b>
Mounting set for pipes 1" (of 27 - 30 mm) for mounting plates with pipe fixing	10	<b>GHG 610 1953 R0020</b>

Please pay attention that only order units (OU) according to the ordering details can be delivered.

### Dimension drawing



Dimensions in mm