

Malux

Ex safety switches with separate actuator

Ex ES 98 ST-11

Material number: 1255734

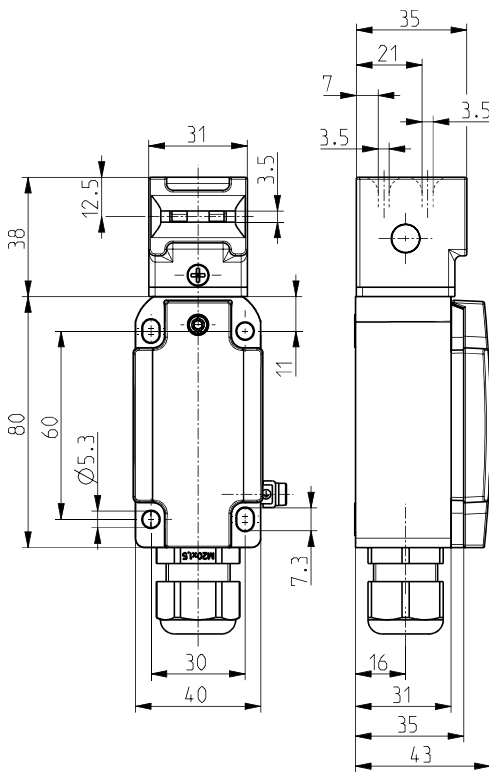
Features/Options:

- Ex zone 1 and 21
- Metal enclosure
- Design to EN 50041

Notes

- The actuator is not included in the delivery of the switches

Dimensions



Technical data

Standards	EN 60947-5-1; EN 60079-0, EN 60079-1, EN 60079-7, EN 60079-31; EN ISO 13849-1; EN ISO 14119
Enclosure	Corrosion-resistant aluminium, powder-coated, similar to RAL 7016
Cover	Stainless steel 1.4401, powder-coated, similar to RAL 1003
Actuator	stainless steel 1.4301
Switch type	type 2
Coding level	low coding
Switch insert	Ex 95
Degree of protection	IP 66 to IEC/EN 60529
Contact material	silver
Switching system	slow action, positive break NC contacts \ominus
Switching elements	1 NC/1 NO contact, type Zb
Connection	screw connection terminals, min. 0,75 mm ² AWG 18, max. 1,5 mm ² AWG 16, incl. conductor ferrules
Cable entry	1 x M20 x 1.5 for cable diameter 5 ... 9 mm
B _{10d} (10 % Load)	2 million
T _M	max. 20 years
U _{imp}	4 kV
U _i	250 V
I _{the}	6 A
I _e /U _e	6 A/250 VAC; 0.25 A/230 VDC
Utilisation category	AC-15; DC-13


Malux

Ex safety switches with separate actuator

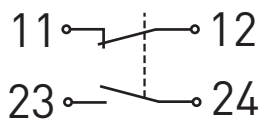
Ex ES 98 ST-11

Material number: 1255734 (Material number old: 9100533001)

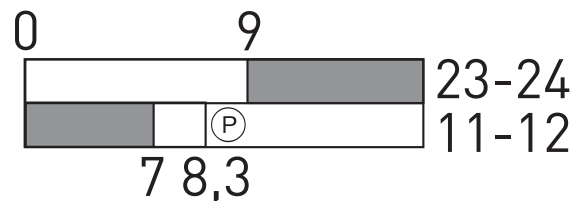
Technical data

Max. fuse rating	6 A gG/gN fuse
Positive break travel	8.3 mm
Ambient temperature	T6: -20 °C ... +40 °C; T5: -20 °C ... +60 °C
Mechanical life	> 1 million operations
Impact energy	max. 7 J
Ex marking	⊕ II 2G Ex d e IIC T6/T5 Gb, ⊕ II 2D Ex tD A21 IP67 T80 °C/ T95 °C IECEX Ex de IIC T6/T5 Gb, Ex tb IIIC T80 °C/T95 °C Db
Approvals	DMT 01 ATEX E 178 IECEX BVS 07.0014 

Contact diagram



Switching diagram



Note
Inserted position of actuator = 0 in switching diagram.
The actuator is not included with the switches.