



DEX10

DEX-DTS-18-504-A

Network HD Video camera • Ex • Weatherproof





Intro

Dexter's DEX10 compact and lightweight CMOS cameras have been designed for use in potentially explosive atmospheres and harsh environmental conditions.

The camera housing, including the flame paths, is manufactured completely from a UV stable glass reinforced polyester which is ideally suited for use offshore and onshore.

Stainless Steel screws and mounting brackets are incorporated ensuring a totally corrosion free unit.

Product overview

- Zone 1/21 and Zone 2/22 use
- II 2 GD EEx d IIB T120 °C
- ATEX approved for gas and dust
- Temperature range -20 °C to +50 °C
- IP66 and IP67
- Corrosion Free
Glass Reinforced Polyester
- Light Weight, approx. 3 kg
- Small, 227x Ø122 mm
- Optional Sunshield and Heater
- Stainless steel mounting bracket & screws



Productcode:

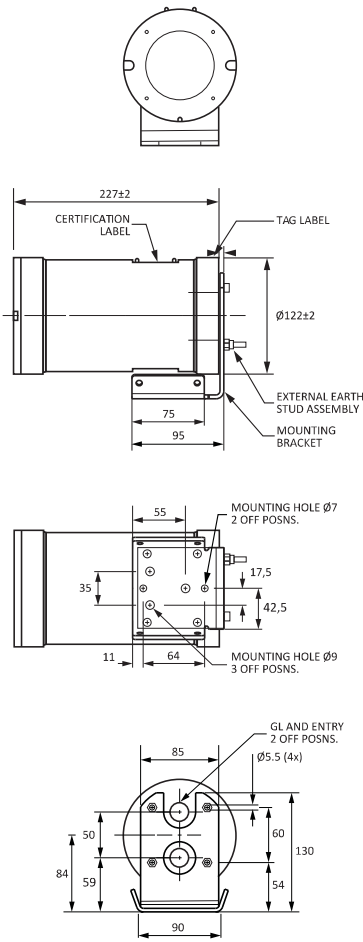
Description:

- | | |
|-------------------|---|
| 1. DEX10-SUN | Sunshield, stainless steel |
| 2. DEX10-HDB | Heavy duty mounting bracket, stainless steel |
| 3. DEX10-HDB/POLE | Heavy duty mounting bracket for mounting the DEX10 to a pole, stainless steel |
| 4. DEX10-KNC | Heavy duty knuckle bracket, stainless steel |



- HDTV 1080p
in up to 25/30 fps
- Varifocal CS-mount lens
- Day and night camera
- WDR - Forensic Capture
- Axis Zipstream technology
- Power over Ethernet

Technical Specifications



Camera Specifications

Camera electronics:

Axis M1125

Image sensor:

Progressive scan RGB CMOS 1/2.8"

Lens:

Varifocal, IR corrected, CS-mount, Megapixel resolution, DC-iris, 3-10.5 mm, 91–32° viewa, 49–18° viewb

Day and night:

Automatically removable infrared-cut filter

Min illumination:

Color: 0.25 lux F1.4, B/W: 0.05 lux F1.4

Video compression:

H.264 main and High baseline profiles (MPEG-4 Part 10/AVC), Motion JPEG

Max video resolution (pixels):

1920x1080 to 160x90

Frames per second (60/50 Hz):

H.264: Up to 25/30 fps in all resolutions

Motion JPEG: Up to 25/30 fps in all resolutions

Pan/tilt/zoom:

Digital PTZ

Mechanical

Material:

Body & Cover - Glass Reinforced Polyester (GRP)

Screws & Bracket - Stainless Steel 316

Glass

Lens:

3 Kg (model dependent)

Weight:

Operational temperature:

-20°C to +50°C

Ingress protection:

IP66 & IP67

Entries:

2 x M20, Ex d

Fire Retardancy:

GRP is fire retardant to ISO 1210

Mounting:

Wall, Pole or Knuckle mounted via bracket

Explosion Proof Certification

ATEX:

Baseefa 04ATEX0406X Coded II 2 GD

EEx d IIB T120°C

-55°C ≤ Tamb ≤ +55°C*

* Dependent on model and options

Camera options - The DEX10 camera comes in various versions which are all based on the same base unit.

DEX10

-C

Camera:

A = M1125

-P

Power:

24VDC = 24VDC

PoE = Power Over Ethernet

IEEE 802.3af Class 2,

max. 5.0 W, typical 3.6 W

-O

Options:

S = Sunshield

H* = Heater

* Only with 24VDC power

For example: DEX10-A- PoE-S

All specifications, dimensions, weight and tolerances are nominal (typical) and Dexter reserves the right to vary all data without prior notice. No liability is accepted for any consequence of use.