



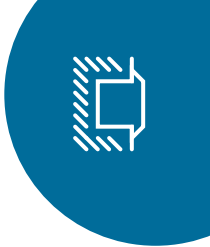
## RECESSED SPOTLIGHT 4.0171

UNDERWATER

IP68



- › Compact spotlight for variable use
- › Up to 1830 lumen light intensity
- › Perfect for effective illumination of swimming pools



# 4.0171 | RECESSED-SPOTLIGHT

FOR ILLUMINATING AND ACCENTUATING SMALLER SWIMMING POOLS, JACUZZIS AND WATER BODIES.

○→○ CENTUM® Updated version available: 4.0102 – Page 30

IP68	STAINLESS STEEL V4A 1.4571 316Ti	ELECTRO POLISHED	POW-LED INCL.	3.000 K 4.500 K 6.000 K BLUE	RGB RGB-W	DYNAMIC WHITE	CONSTANT CURRENT KONSTANT STROM	DALI 1-10 V OPTIONAL DIMM	CABLE INCL.	max 5m	↕	↕	CE	III
------	--	------------------	---------------	---------------------------------------	--------------	------------------	------------------------------------	------------------------------	-------------	--------	---	---	----	-----



- Protection class IP68 – up to 5m water depth
- Entirely made of stainless steel 316Ti
- Round attachment cover, made of stainless steel 316Ti, height 3 mm
- ...
- POW-LED cold white, warm white, neutral white
- POW-LED blue
- Multichip POW-LED RGB
- **NEW: Multichip POW-LED RGB-W**
- **NEW: Multichip POW-LED Dynamic white**
- operating mode: constant current
- halogene QR-CB51 ES 12 V-AC
- Rotationally symmetric light distribution
- ...
- Cable gland M16x1,5
- Constant-current power source/RGB controller/external transformer
- Installation housing made of stainless steel 316Ti with 1.5 m cable protection tube and connection socket (order separately)
- Supplied with lamp and 3 m of underwater cable

## + ADDITIONAL PARTS

**TIPP** glass disc, frosted  
for softer light distribution (light loss approx. -15%)  
**50.4.00012.746**

anti-glare louver  
black, for 3 POW-LED and halogene  
**4.0071.00.50**

anti-glare louver  
black, for 6 POW-LED  
**4.0071.01.50**

Control unit  
Touch Control for dynamic white, DMX  
**5.0690.09.80**

## ★ PRODUCT LINE

 **4.0071**  
Recessed spotlights (exterior)  
> Page 170

 **4.0072**  
Surface spotlights  
> Page 122



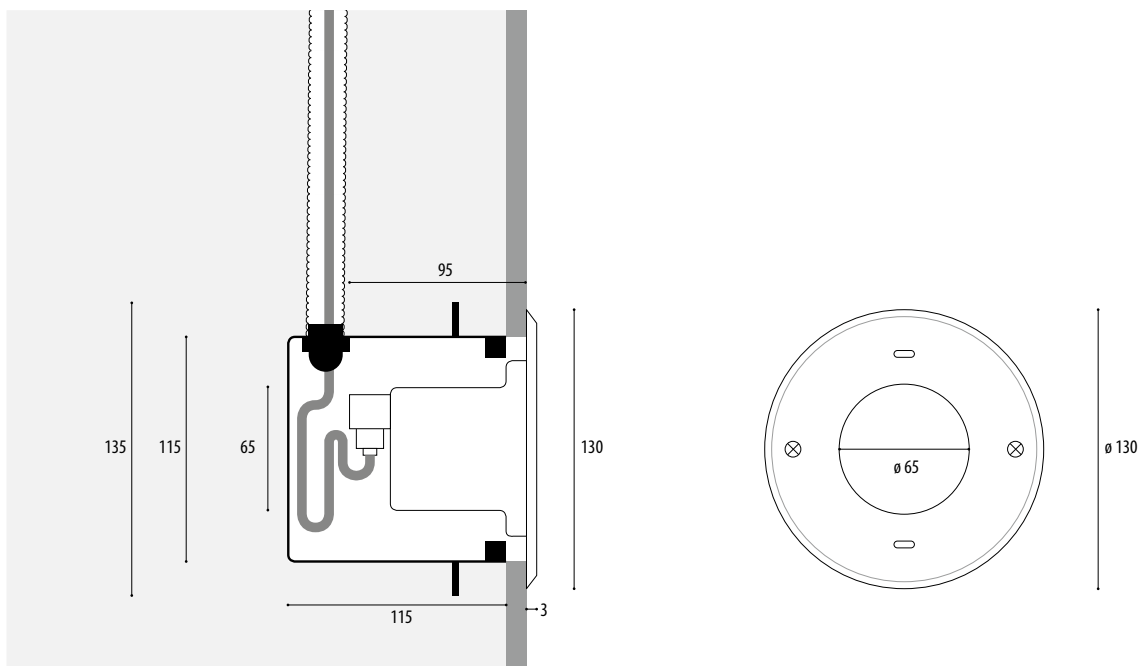
# RECESSED SPOTLIGHT 4.0171

UNDERWATER

IP68



Installation housing



Article number	Lamps	Lumen	Light colour	Wattage	Current	Radation angle	Cable, installs	[V]
----------------	-------	-------	--------------	---------	---------	----------------	-----------------	-----

VERSIONS: ONLY UNDERWATER OPERATION

POW-LED, RADATION ANGLE SPOT

4.0171.20.01	3 POW-LED	915 lm	6000K cold white	total 9 W	CC 700 mA	10° spot	UW, 2x1,5 qmm	W61
4.0171.20.02	3 POW-LED	750 lm	3000K warm white	total 9 W	CC 700 mA	10° spot	UW, 2x1,5 qmm	
4.0171.20.03	3 POW-LED	855 lm	4500K neutral white	total 9 W	CC 700 mA	10° spot	UW, 2x1,5 qmm	
4.0171.20.06	3 POW-LED	630 mW/LED	blue	total 9 W	CC 700 mA	10° spot	UW, 2x1,5 qmm	
4.0171.20.09	3 Multichip POW-LED		RGB	all on 28 W	CC 700 mA	10° spot	UW, 6x0,5 qmm	
4.0171.20.21	6 POW-LED	1830 lm	6000K cold white	total 17 W	CC 1400 mA	10° spot	UW, 2x1,5 qmm	W11
4.0171.20.22	6 POW-LED	1500 lm	3000K warm white	total 17 W	CC 1400 mA	10° spot	UW, 2x1,5 qmm	
4.0171.20.23	6 POW-LED	1710 lm	4500K neutral white	total 17 W	CC 1400 mA	10° spot	UW, 2x1,5 qmm	

POW-LED, RADATION ANGLE MEDIUM

4.0171.20.11	3 POW-LED	915 lm	6000K cold white	total 9 W	CC 700 mA	30° medium	UW, 2x1,5 qmm	W33
4.0171.20.12	3 POW-LED	750 lm	3000K warm white	total 9 W	CC 700 mA	30° medium	UW, 2x1,5 qmm	
4.0171.20.13	3 POW-LED	855 lm	4500K neutral white	total 9 W	CC 700 mA	30° medium	UW, 2x1,5 qmm	
4.0171.20.16	3 POW-LED	630 mW/LED	blue	total 9 W	CC 700 mA	30° medium	UW, 2x1,5 qmm	
4.0171.20.19	3 Multichip POW-LED		RGB	all on 28 W	CC 700 mA	45° medium	UW, 6x0,5 qmm	
4.0171.20.31	6 POW-LED	1830 lm	6000K cold white	total 17 W	CC 1400 mA	30° medium	UW, 2x1,5 qmm	W12
4.0171.20.32	6 POW-LED	1500 lm	3000K warm white	total 17 W	CC 1400 mA	30° medium	UW, 2x1,5 qmm	
4.0171.20.33	6 POW-LED	1710 lm	4500K neutral white	total 17 W	CC 1400 mA	30° medium	UW, 2x1,5 qmm	
4.0171.20.43	1 Multichip POW-LED	neutral white: 140 lm	RGB-NW neutral white 4500K	all on 4 W	CC 350 mA	35° medium	UW, 8x0,5 qmm	
4.0171.20.80	1 Multichip POW-LED		3000K-6000K dynamic white	all on 4 W	CC 350 mA	35° medium	UW, 8x0,5 qmm	

HALOGEN

4.0171.20.20	QR-CBC51 (IRC)	300	3000K	20W	12V-AC	36°	UW, 2x1,5 qmm	C63
4.0171.20.35	QR-CBC51 (IRC)	620	3000K	35W	12V-AC	36°	UW, 2x1,5 qmm	C73
4.0171.20.50	QR-CBC51 (IRC)	870	3000K	50W	12V-AC	36°	UW, 2x1,5 qmm	C83

INSTALLATION HOUSING

4.0171.01.00	made of V4A stainless steel with 1.5 m protective cable tube and M20 plastic terminating connection, for welding into stainless steel pools and for installation in concrete pools with tile covering
4.0171.02.00	made of V4A stainless steel with 1.5m protective cable tube and M20 plastic terminating connection, for installation in thin-walled pools and foil lined pools (pressure flange ø 137 mm)
4.0171.03.00	made of V4A stainless steel with 1.5 m protective cable tube and M20 plastic terminating connection, for installation in pools with adhesive/foil coating (adhesive flange ø 215 mm)



IP68

UNDERWATER

Power supplies Technical details see from page 234.

<b>5.0670.65.10</b>		<b>5.0670.65.20</b>	
<b>5.0670.65.10</b>	Constant Current power supply, max 1 spotlights	<b>5.0670.65.20</b>	Constant Current power supply, max 2 spotlights
<b>5.0670.65.10</b>		<b>5.0670.65.20</b>	
<b>5.0670.65.10</b>		<b>5.0670.65.20</b>	
<b>5.0670.09.18</b>	RGB-Controller, max 2 spotlights		
<b>5.0670.00.06</b>			
<b>5.0670.00.06</b>	Constant Current power supply, max 1 spotlights		
<b>5.0670.00.06</b>			
<b>5.0670.65.10</b>		<b>5.0670.65.20</b>	
<b>5.0670.65.10</b>	Constant Current power supply, max 1 spotlights	<b>5.0670.65.20</b>	Constant Current power supply, max 2 spotlights
<b>5.0670.65.10</b>		<b>5.0670.65.20</b>	
<b>5.0670.65.10</b>		<b>5.0670.65.20</b>	
<b>5.0670.09.18</b>	RGB-Controller, max 2 spotlights		
<b>5.0670.00.06</b>			
<b>5.0670.00.06</b>	Constant Current power supply, max 1 spotlights		
<b>5.0670.00.06</b>			
<b>5.0635.09.52</b>	RGB-W-Controller, max 12 spotlights		
<b>5.0635.09.52</b>			
<b>5.0098.00.00</b>	Transformer, max 2 spotlights	<b>5.0101.00.00</b>	Transformer, max 7 spotlights
<b>5.0098.00.00</b>	Transformer, max 1 spotlights	<b>5.0101.00.00</b>	Transformer, max 4 spotlights
<b>5.0098.00.00</b>	Transformer, max 1 spotlights	<b>5.0101.00.00</b>	Transformer, max 3 spotlights

### NOTE



SALINE version possible - Article number with additional „S“ at the end



3 POW-LED and halogen unit rotatable and +/-15° adjustable



POW-LED, series-connected

### OPTIONS

Possible beam angle POW-LED



Possible beam angle HALOGENE



POW-LED monochrome, single colour in green, red, amber, turquoise



Version with square cover