



Technical data

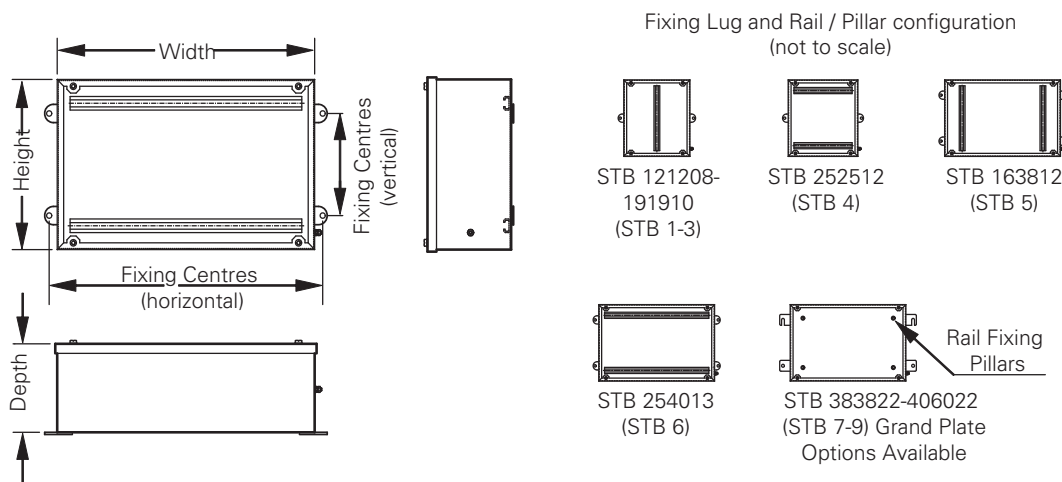
Type S-TB terminal boxes

Marking accd. to 2014/34/EU	⊕ II 2 G Ex e IIC Gb ⊕ II 2 D Ex tb IIIC Db
Temperature class	T6 up to +40 °C / T5 up to +55 °C
EC-Type Examination Certificate	BVS 13 ATEX E 015 U
Application temperature	-30 °C to +40 °C -40 °C to +55 °C (option)
IECEX Certificate of Conformity	IECEX BVS 13.0025U
Marking accd. to IECEx	Ex e IIC Gb Ex tb IIIC Db
Rated voltage	up to 690 V*
Rated current	up to 500 A*
Connecting terminals	up to 240 mm <sup>2</sup> *
Protection class	I
Degree of protection accd. to EN 60529	IP66
Cable glands/gland plates/enclosure drilling	up to 4 side optional gland plate combination with entries to meet requirements (38/38/20 - 60/40/20) combination with entries to meet requirements
Type of mounting	S-TB 1 - S-TB 4 - 2 welded lugs with Ø 8 mm holes S-TB 5 - S-TB 6 - 4 welded lugs with Ø 8 mm holes S-TB 7 - S-TB 9 - 4 welded lugs with Ø 11 mm holes
Enclosure material	Stainless steel 316 L or 304
Material thickness	1.5 mm
Components mounting	S-TB 1 - S-TB 6 - internally welded TAS 20 rail for terminals mounting S-TB 7 - S-TB 9 - 4 x stand of pillars Ø 9 mm, 25 mm height, thread M6 x 10, for rail or mounting plate
Enclosure earth	S-TB 1 - S-TB 6 - M6 external/internal earth stud assembly S-TB 7 - S-TB 9 - M10 external/internal earth stud assembly
Gasket material	Silikon-gasket

\* depending on type of terminal and Ex-components used

Additional certifications:  
TR-CU and cULUs types 3S, 4, 4 x on request.

Dimension drawing



Dimensions in mm

## S-TB-Ex-e terminal enclosures



S-TB



S-TB

### Ordering details S-TB up to 3 x 51 terminals

S-TB Size	Dimensions <sup>2)</sup> H x W x D in mm	Fixing centres B <sub>vertical</sub> <sup>2)</sup> mm x B <sub>horizontal</sub> mm	Weight in kg (empty enclosure)	Terminal rail		Terminal content					
				Rail fixing centres vert.	horiz.	Rail length vert.	horiz.	Row orientation vertical			
								2.5 (6)	4 (6.5)	6 (8)	10 (10)
<b>S-TB 1</b>	120x120x 80	145	1.4	62		82		1x 8	1x 6	1x 5	1x 4
<b>S-TB 2</b>	150x150x 90	175	1.9	90		110		1x13	1x11	1x 8	1x 7
<b>S-TB 3</b>	190x190x100	215	3.0	130		150		1x21	1x18	1x13	1x10
<b>S-TB 4</b>	250x250x120	275	3.7	180		200		2x31	2x26	2x19	2x15
<b>S-TB 5</b>	160x380x120	80x405	3.7	300		320		1x55	1x46	1x34	1x28

### Enclosure dimensions and terminal content

S-TB Size	Dimensions <sup>2)</sup> H x W x D in mm	Fixing centres B <sub>vertical</sub> <sup>2)</sup> mm x B <sub>horizontal</sub> mm	Weight in kg (empty enclosure)	Terminal rail Rail fixing centres vert.	horiz.	Rail length vert.	horiz.	Terminal content Row orientation vertical 2.5 (6)	4 (6.5)	6 (8)	10 (10)
<b>S-TB 1</b>	120x120x 80	145	1.4	62		82		1x 8	1x 6	1x 5	1x 4
<b>S-TB 2</b>	150x150x 90	175	1.9	90		110		1x13	1x11	1x 8	1x 7
<b>S-TB 3</b>	190x190x100	215	3.0	130		150		1x21	1x18	1x13	1x10
<b>S-TB 4</b>	250x250x120	275	3.7	180		200		2x31	2x26	2x19	2x15
<b>S-TB 5</b>	160x380x120	80x405	3.7	300		320		1x55	1x46	1x34	1x28

S-TB Size	Available glanding area			Max. entry guide (metric)						Order No. <sup>3)</sup>	
	Top & bottom (with gland plates fitted) in mm	left	right	Top & bottom / left / right							
				M16	M20	M25	M32	M40	M50	M63	
<b>S-TB 1</b>	114x 63	114x 63	70x 63	7/7/4	3/3/1	2/2/1	2/2/1	–	–	–	<b>STBS1121208</b>
<b>S-TB 2</b>	144x 73	144x 73	100x 73	9/9/6	6/6/4	3/3/2	2/2/1	2/2/1	–	–	<b>STBS1151509</b>
<b>S-TB 3</b>	184x 83	184x 83	140x 83	18/18/14	8/8/6	7/7/5	3/3/2	2/2/2	2/2/1	–	<b>STBS1191910</b>
<b>S-TB 4</b>	244x103	244x103	200x103	32/32/26	18/18/14	10/10/8	7/7/6	3/3/3	3/3/2	2/2/2	<b>STBS1252512</b>
<b>S-TB 5</b>	372x103	154x103	330x103	50/20/44	29/11/24	15/6/14	12/4/10	5/2/5	4/1/4	3/1/3	<b>STBS1163812</b>

### Gland entry detail

S-TB Size	Dimensions <sup>2)</sup> H x W x D in mm	Fixing centres B <sub>vertical</sub> <sup>2)</sup> mm x B <sub>horizontal</sub> mm	Weight in kg (empty enclosure)	Terminal rail Rail fixing centres vert.	horiz.	Rail length vert.	horiz.	Terminal content Row orientation vertical 2.5 (6)	4 (6.5)	6 (8)	10 (10)	Order No. <sup>3)</sup>
<b>S-TB 1</b>	114x 63	114x 63	70x 63	7/7/4	3/3/1	2/2/1	2/2/1	–	–	–	–	<b>STBS1121208</b>
<b>S-TB 2</b>	144x 73	144x 73	100x 73	9/9/6	6/6/4	3/3/2	2/2/1	2/2/1	–	–	–	<b>STBS1151509</b>
<b>S-TB 3</b>	184x 83	184x 83	140x 83	18/18/14	8/8/6	7/7/5	3/3/2	2/2/2	2/2/1	–	–	<b>STBS1191910</b>
<b>S-TB 4</b>	244x103	244x103	200x103	32/32/26	18/18/14	10/10/8	7/7/6	3/3/3	3/3/2	2/2/2	–	<b>STBS1252512</b>
<b>S-TB 5</b>	372x103	154x103	330x103	50/20/44	29/11/24	15/6/14	12/4/10	5/2/5	4/1/4	3/1/3	–	<b>STBS1163812</b>

### Options

<b>S-TB with gland 1 plate<sup>3)</sup></b>	STB <u>S</u> 1XXYYZZ <b>1</b>	<b>S-TB with additional UL CERT</b>	STB <u>S</u> 1XXYYZZ <b>UL</b>
<b>S-TB with gland 3 plate<sup>3)</sup></b>	STB <u>S</u> 1XXYYZZ <b>3</b>		

Type	Order No.
------	-----------

### Example

<b>S-TB 2</b> with 3 gland plate and UL-certification	<b>STBS1151509-UL</b>
---	-----------------------

The information provided is based on the physical constraints of the enclosure. Please refer to the certificate for hazardous area applications.

Note: 1. Dimension drawing see page 2.2.51

2. Size S-TB 1 - S-TB 4 has only horizontal fixing lugs (2)

3. Only this types includes UL-Certification and can be ordered with 1 or 3 gland plates

4. Refer to „OPTIONS“ for ordering key



S-TB

Ordering details S-TB up to 5 x 79 terminals

S-TB Size	Dimensions <sup>2)</sup> H x W x D in mm	Fixing centres B <sub>vertical</sub> mm x B <sub>horizontal</sub> mm	Weight in kg (empty enclosure)	Terminal rail		Rail length		Terminal content			
				Rail fixing centres vert.	horiz.	vert.	horiz.	Row orientation vertical			
								2.5 (6)	4 (6.5)	6 (8)	10 (10)
<b>S-TB 6</b>	250x400x130	150x425	5.4	180		200		3x31	3x26	3x19	3x15
<b>S-TB 7<sup>2)</sup></b>	380x380x220	250x435	8.5	280		300		3x42	3x39	3x32	3x25
<b>S-TB 8</b>	480x480x200	340x535	10.5	380		400		4x61	4x56	4x46	4x36
<b>S-TB 9<sup>2)</sup></b>	600x400x220	464x456	13.0	500		520		5x79	5x73	5x59	5x47

Enclosure dimensions and terminal content

S-TB Type	Available glanding area (with gland plates fitted) in mm			Max. entry guide (metric)							Order No. <sup>3)</sup>
	Top & bottom	left	right	Top & bottom / left / right	M16	M20	M25	M32	M40	M50	
<b>S-TB 6</b>	394x113	244x113	350x113	54/32/48	30/18/26	16/10/14	13/7/11	6/3/5	5/3/4	4/2/3	<b>STBS1254013</b>
<b>S-TB 7<sup>2)</sup></b>	374x203	374x203	324x203	100/100/88	57/57/48	40/40/33	24/24/20	15/15/12	8/8/7	6/6/5	<b>STBS13838220</b>
<b>S-TB 8</b>	474x183	474x183	474x183	124/124/118	78/78/74	54/54/50	30/30/28	20/20/18	11/11/9	10/10/8	<b>STBS14848200</b>
<b>S-TB 9<sup>2)</sup></b>	337x124	337x124	337x124	108/164/152	60/93/84	40/65/60	26/40/38	17/26/23	9/14/13	7/11/10	<b>STBS16040220</b>

Options

<b>S-TB with gland 1 plate<sup>2)</sup></b>	STB <b><u>S</u></b> 1XXYYZZ <b>1</b>	<b>S-TB with additional UL CERT</b>	STB <b><u>S</u></b> 1XXYYZZ <b>UL</b>
<b>S-TB with gland 3 plate<sup>2)</sup></b>	STB <b><u>S</u></b> 1XXYYZZ <b>3</b>		

Type	Order No.
<b>S-TB 7 316L SS with 3 gland plate incl. UL-certification</b>	<b>STBS13838223</b>

The information provided is based on the physical constraints of the enclosure. Please refer to the certificate for hazardous area applications.

- Note: 1. Dimension drawing see page 2.2.51  
 2. Only this types includes UL-Certification and can be ordered with 1 or 3 gland plates  
 3. Refer to „OPTIONS“ for ordering key