

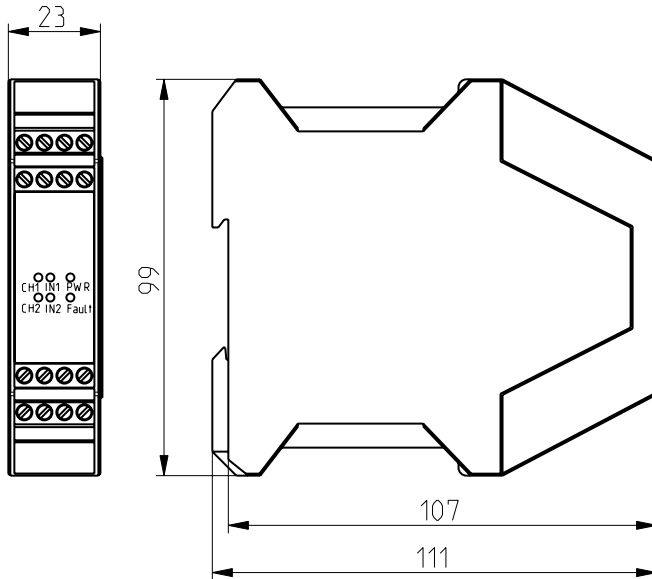


Safety sensors // Safety relay module SRM 21 Multi

Features/Options

- Enclosure width: 22.5 mm
- 2 NC contact combination connectable
- Feedback circuit
- 2 enabling paths potential-free
- 1 auxiliary output
- Manual or automatic start
- LED indicator for switching condition
- PL e, SIL CL 3

Dimensions



Technical data

Standards	IEC/EN 60204 -1, EN 60947-5-1, EN 61508, EN ISO 13849-1; EN 60947-5-3/PDF-M
Enclosure	Polyamid PA 6.6 V0 black; DIN rail mounting per EN 50022
Connection	screw terminals
Cable section	1x 2.5 mm ² /2x 1.5 mm ² strand including conductor ferrules, 1x 4 mm ² /2x 2.5 mm ² massive
Degree of protection	Enclosure IP 40, terminals IP 20 as per IEC 60 529, contact protection per VBG 4
Rated operating voltage U _e	24 VDC -20%, +25 %
Power consumption	10 million switching cycles
LED display	4: Operation, fault, inputs A and B
Degree of pollution	2 per EN 50178, DIN VDE 0110
Overvoltage category	III
Ambient temperature	-25 °C ... +55 °C
Storage/shipping temp.	-25 °C ... +75 °C
Shock resistance	10g
T _M	max. 20 years
Approvals	TÜV
Weight	120g

Errors and omissions excepted.



Safety sensors // Safety relay module SRM 21 Multi

Ordering details

SRM 21 Multi



Type
Safety relay module SRM 21 Multi

Order no.
90560051